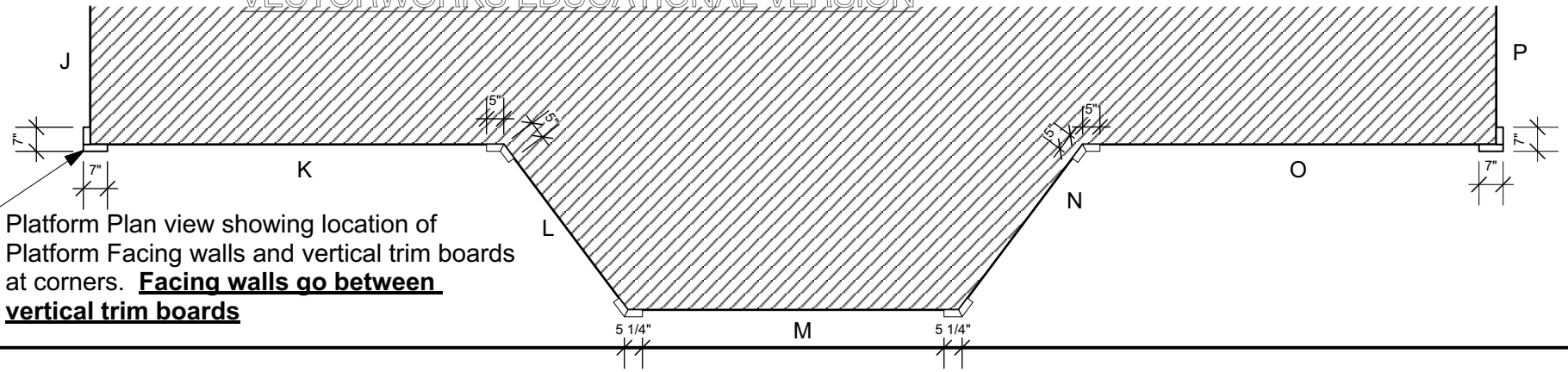
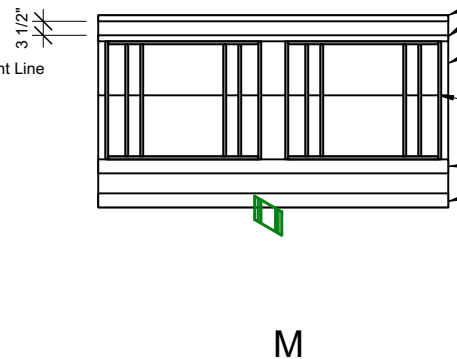
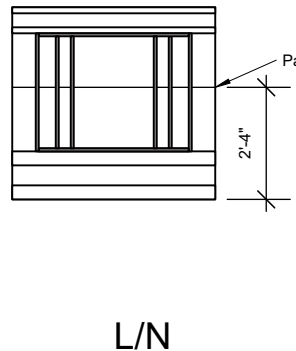
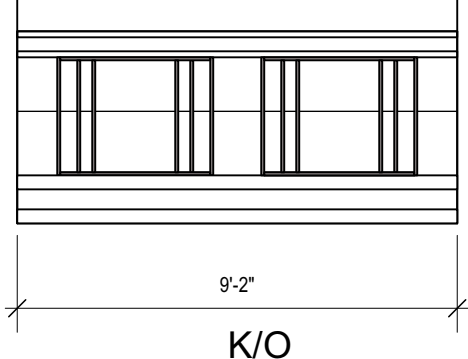
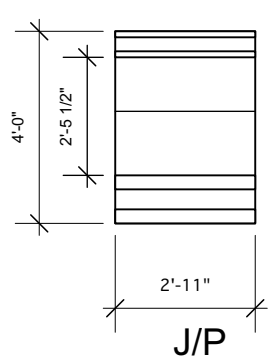


2 by X Vertical trim board
Length = Height of platform
(4'-0")

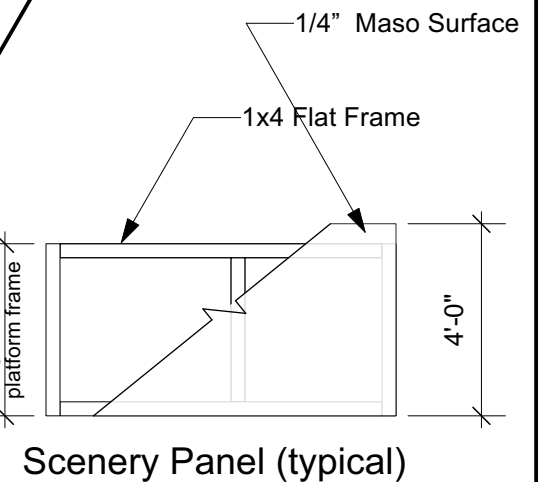
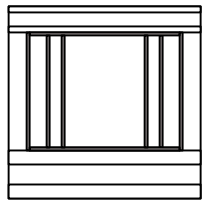


Platform Plan view showing location of Platform Facing walls and vertical trim boards at corners. **Facing walls go between vertical trim boards**

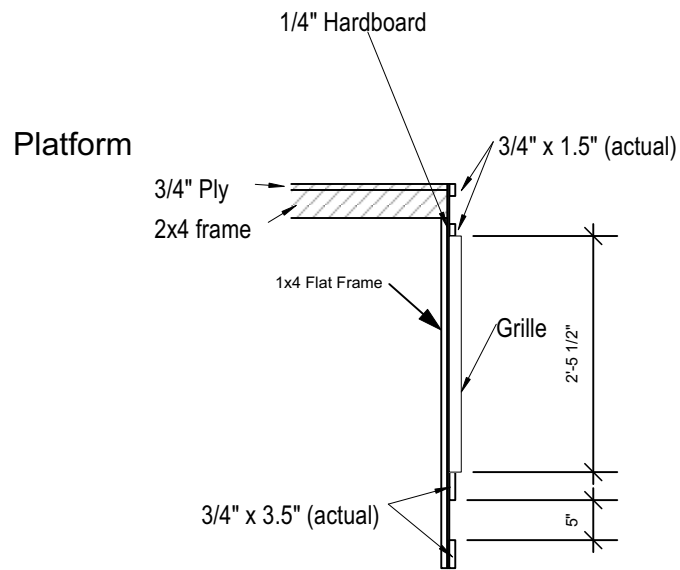


3/4" x 1.5" (actual)
Scenery panel surface. 1/4" Masonite
Grille piece: attached to surface of Masonite/ hardboard
3/4" x 3 1/2" trim

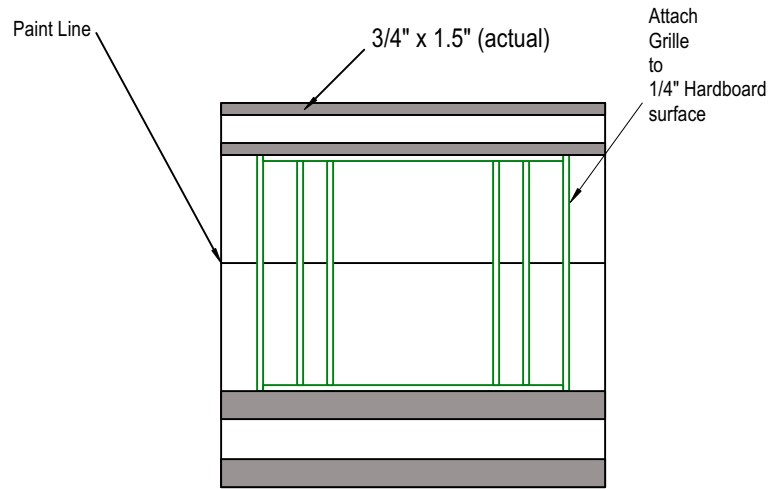
Grille Detail (typical)



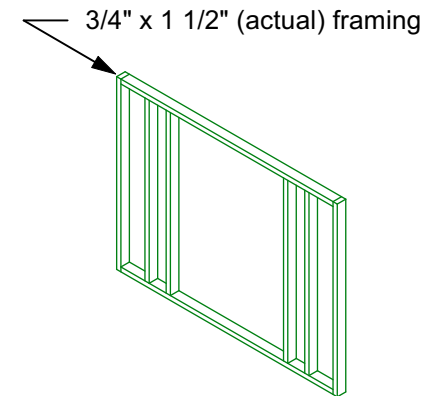
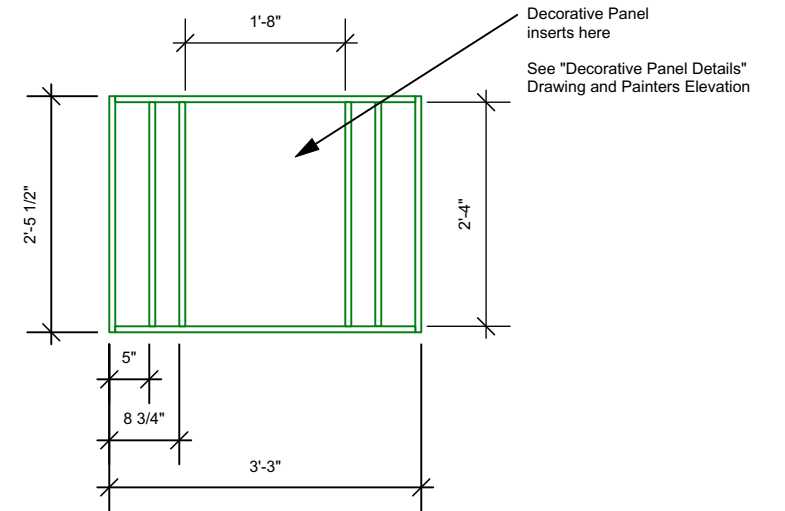
Producing Organization	Production Title	Director	Drawing Information	Scale	Platform Facing Walls	Drawing Number
Northfield Schools	2024 Rock N Roll Revival	Ray Coudret	Date 1/9/24 Drawn By B. Bjorklund	1/4"=1'-0"		X of X
			Revision: 1/23/24			



Section View of Platforms,
Facing, and Grille panel



Platform Facing Panel
Front Elevation (Typical)



Grille Panel
3D view (Typical)

Producing Organization
Northfield Schools

Production Title
2024 Rock N Roll Revival

Director
Ray Coudret

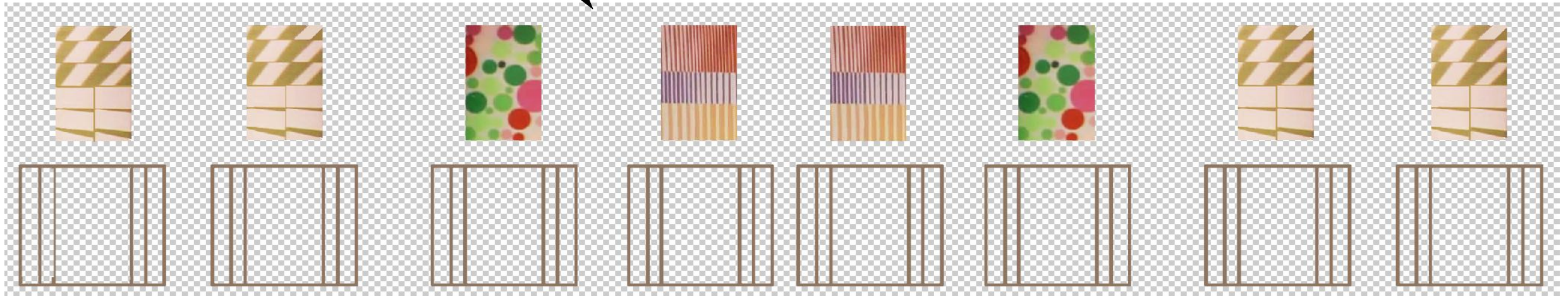
Drawing Information
Date **1/9/24** Revision:
Drawn By **B. Bjorklund** **1/23/24**

Scale
1/2"=1'-0"

**Platform Facing
Details / Grille Panels**

Drawing Number
X of X

Not to Scale- For Image Reference



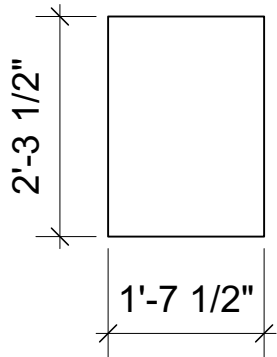
K

L

M

N

O



Decorative Panel Inserts
1/4" Sheetboard (Luan or Masonite)

Make 8

See Decorative Panel Painters Elevation

Producing Organization

Production Title

Director

Drawing Information

Scale

Drawing Number

Northfield Schools

2024 Rock N Roll Revival

Ray
Coudret

Date 1/9/24 Revision:
Drawn By B. Bjorklund 1/23/24

1/2"=1'-0"

Platform Facing
Details / Grille Panels

X of X